



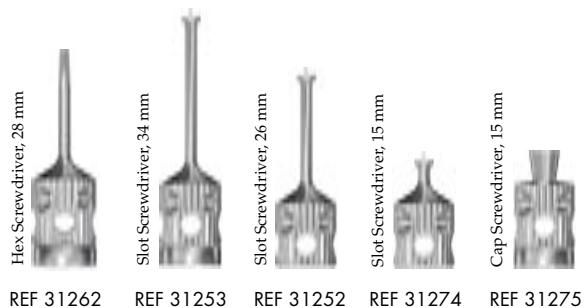
Cresco API™ Kit for IMZ®/Twin Plus™ (Cresco™ Insert)

Implant Ø 3.3 mm		Cresco API™	REF 30313	REF 30513	REF 30813				
Prosthetic Components		Laboratory Components				Includes Bridge Support in			
Cresco™ Insert	Impression Element and Pin	Gingiva Formers with Screw	Bridge Screw	Replica	Process Screw	Wax Tube	Titanium	Burnout	Cobalt-Chrome

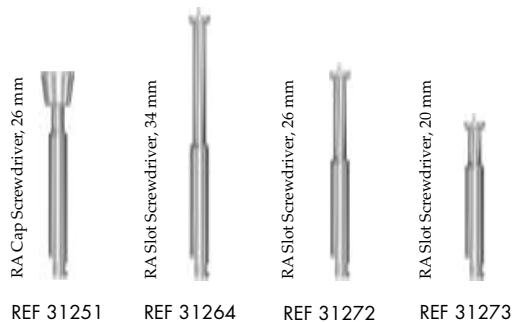
Implant Ø 4.0 mm		Cresco API™	REF 30314	REF 30514	REF 30814				
Prosthetic Components		Laboratory Components				Includes Bridge Support in			
Cresco™ Insert	Impression Element and Pin	Gingiva Formers with Screw	Bridge Screw	Replica	Process Screw	Wax Tube	Titanium	Burnout	Cobalt-Chrome

Cresco™ restorative instruments for IMZ®/Twin Plus™ (Cresco™ Insert)

Screwdrivers



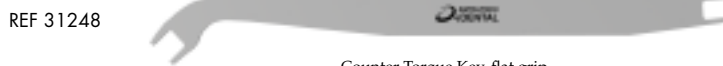
RA Screwdrivers



Instruments



Torque Ratchet Wrench with individual adjustment of the torque to 15, 20 and 35 Ncm



Counter Torque Key, flat grip



Forceps titanium, 94 mm

IMZ® and Twin Plus™ are trademarks of Friadent GmbH, Germany.

Cresco™ and Cresco API™ are trademarks of Astra Tech AB, Sweden.